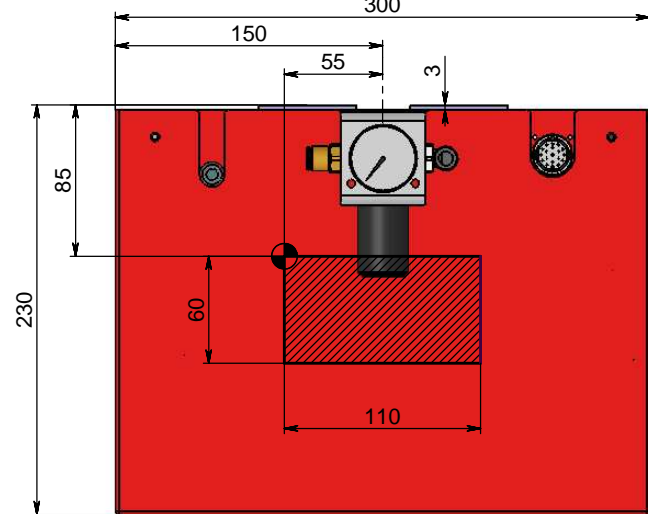
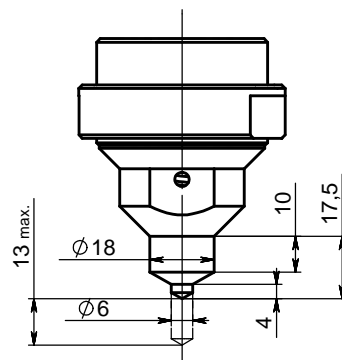
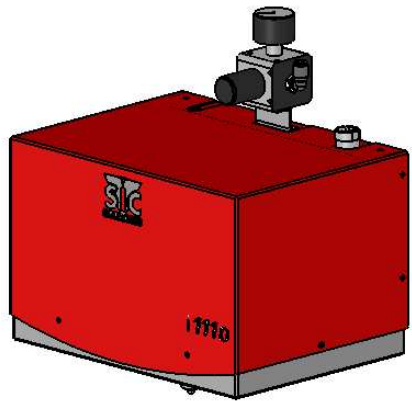
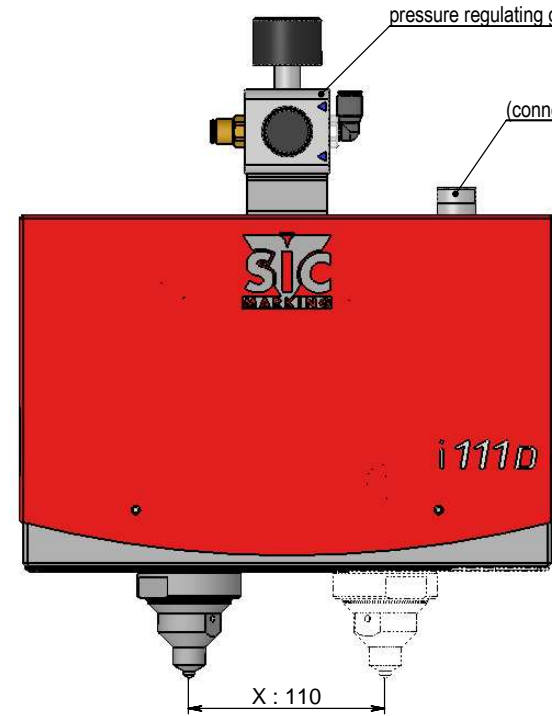
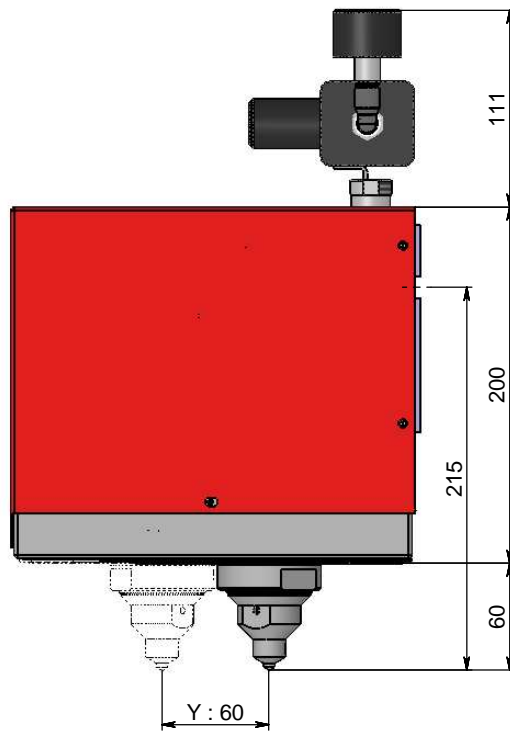
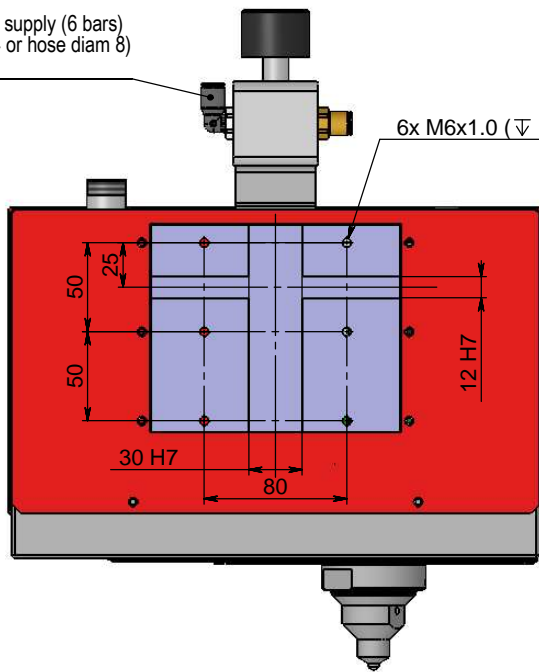


Compressed air supply (6 bars)
(connection G1/4 or hose diam 8)

6x M6x1.0 (▽ 12 maxi)

pressure regulating gauge (1 to 6 bars)

(connector for robotic cable)



- marking window : 110 x 60 mm
- connection between head and controller : 5 or 10 m
- pneumatic dot marking assembly
- positioning : grooves 30H7 and 12H7
- mounting : 6 M6 tapped holes
- stylus stroke : 13 mm maxi
- weight : 37.4lbs



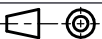
SIC MARKING

www.sic-marking.com

Designer : C.P

Date : 12/04/2006

Scale : 1:3



Name : INTEGRATION PLAN

N°: i111D (US)